



# Steel Straps

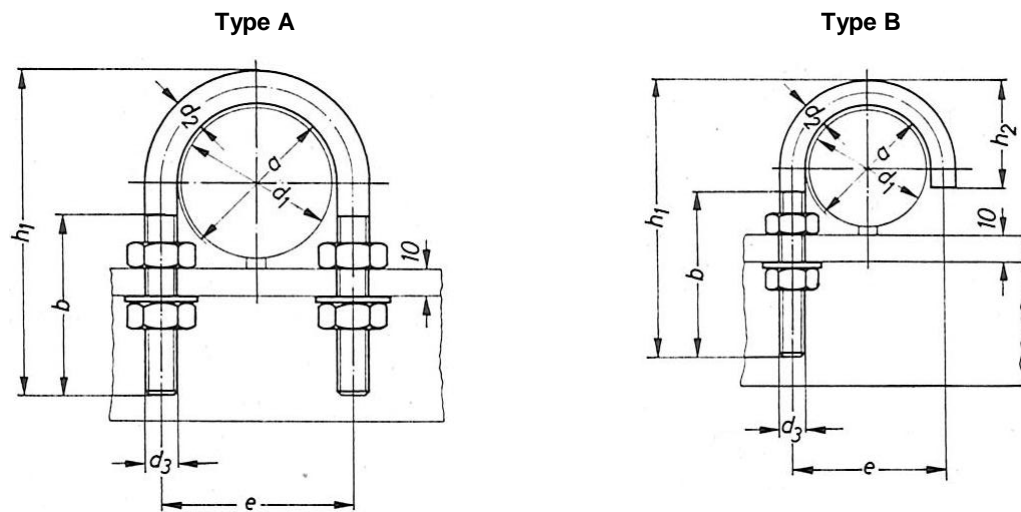
**N.803**

Page 1/1

Rundstahlbügel

DIN 3570: 1968-10

Material: steel



Designation, e.g. of a steel strap type A with inside diameter  $a = 82$  mm, without nuts and washers:

### Steel strap DIN 3570 – A 82

Associated nuts (H.550) and washers (H.600, for U-beam H.640, for T-beam H.641) are to be ordered separately.

a	for tubes of		b	d <sub>2</sub>	d <sub>3</sub>	e	h <sub>1</sub>	h <sub>2</sub>	type A		type B		
	d <sub>1</sub>	DN							kg/pc.	Art. no.	kg/pc.	Art. no.	
30	25	20	3/4"	40	10	M 10	40	70	28	0,094	8576	0,068	
	26,9												
38	30	25	1"	40	10	M 10	48	76	31	0,105	8577	0,077	
	33,7												
46	38	32	1 1/4"	50	10	M 10	56	86	37	0,120	8578	0,090	
	42,4												
52	44,5	40	1 1/2"	50	10	M 10	62	92	40	0,129	8579	0,097	
	48,3												
64	57	50	2"	50	12	M 12	76	109	49	0,222	8580	0,168	
	60,3												
82	76,1	65	2 1/2"	50	12	M 12	94	125	57	0,259	8581	0,198	
94	88,9	80	3"	50	12	M 12	106	138	66	0,288	8582	0,224	
120	108	100	4"	60	16	M 16	136	136	—	0,640	8583	—	
	114,3												
148	133	125	—	60	16	M 16	164	164	—	0,727	8584	—	
	139,7												
176	159	150	—	60	16	M 16	192	192	—	0,834	8585	—	
	168,3												
202	(191)	(175)	—	60	16	M 16	218	218	—	0,958		—	
	193,7												
228	216	200	—	70	20	M 20	248	248	—	1,698	8586	—	
	219,1												
282	267	250	—	70	20	M 20	302	302	—	2,028	8587	—	
	273												
332	318	300	—	70	20	M 20	352	352	—	2,35	8588	—	
	323,9												
378	355,6	350	—	70	24	M 24	402	402	—	3,82	8589	—	
	368												
428	406,4	400	—	70	24	M 24	452	452	—	4,29		—	
	419												
530	508	500	—	70	24	M 24	554	554	—	5,22		—	
	521												

05.86

Dimensions in mm

**N.803**